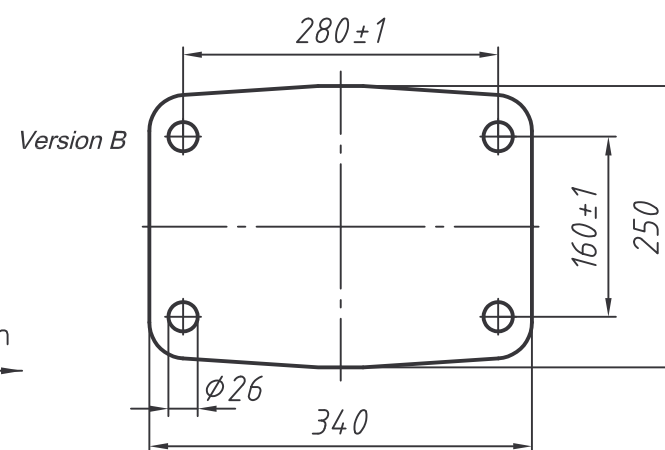
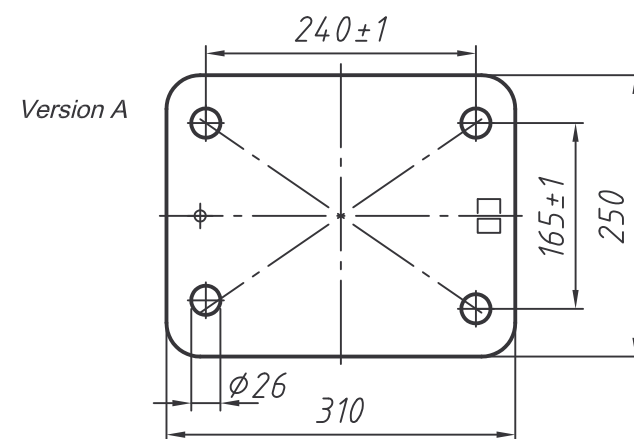
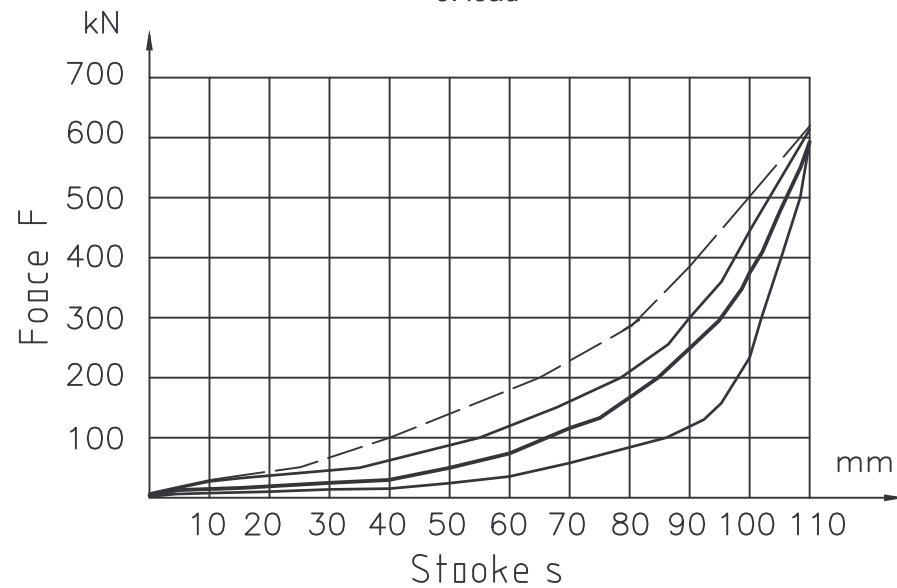


Static characteristic

- 1. load
- 3. load



Technical parameters		static
Stroke	(mm)	110
Initial force	(kN)	15
End force	(kN)	600
Capacity	(kJ)	18

Buffered Keystone Rzw with Tecspak S110

AXXTONE
RAILWAY COMPONENTS

Offer drawing

No.: C111.16600B063
C111.16600B068 - Buffer disk with polymer insert
C111.16600B073 - Buffer disk 360x720